

MIDMARK 23 L

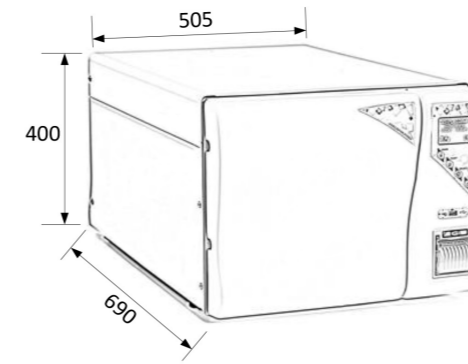
RECOMMENDED CYCLES

● OPEN ● WRAPPED

B-CLASS

TEMPERATURE AND NAME OF CYCLE	TYPE	TOTAL TIME	WEIGHT	STERILIZABLE MATERIALS AND INSTRUMENTS	WRPD
HELIX TEST - B&D TEST	Test	29 M	0	Steam penetration test	-
VACUUM TEST		15 M		Leak detection test	-
121° C HOLLOW WRAPPED	B	51 M	3,5	Delicate hollow, stainless steel hollow and turbines	●
134° C HOLLOW WRAPPED		49 M		Stainless steel hollow and turbines	●
134° C PRION		60 M		Stainless steel hollow and metal instruments	●
134° C POROUS		58 M	1,0	Porous loads	●
134° C HOLLOW OPEN		41 M	4,5	Stainless steel hollow and turbines	●

REFERRING TO B23



23 L

S-CLASS

TEMPERATURE AND NAME OF CYCLE	TYPE	TOTAL TIME	WEIGHT	STERILIZABLE MATERIALS AND INSTRUMENTS	WRPD
BOWIE & DICK TEST	Test	35 M	0	Steam penetration test	-
VACUUM TEST		15 M		Leak detection test	-
121° C HOLLOW WRAPPED	S	57 M	2,5	Delicate hollow, stainless steel hollow	●
134° C HOLLOW WRAPPED		55 M		Stainless steel hollow	●
134° C PRION		66 M		Stainless steel hollow and metal instruments	●
134° C POROUS		63 M	0,5	Little porous loads	●
134° C FAST		40 M	3,5	Rubber solids and metal solids	●

REFERRING TO S23

N-CLASS

TEMPERATURE AND NAME OF CYCLE	TYPE	TOTAL TIME	WEIGHT	STERILIZABLE MATERIALS AND INSTRUMENTS	WRPD
121° C SOLIDS OPEN	N	58 M	2,5	Rubber solids and delicate solids	●
134° C SOLIDS OPEN		46 M		Rubber solids and metal solids	●
134° C PRION		60 M		Metallic Instruments	●
121° C FAST		48 M	4,5	Rubber solids and metal solids	●
134° C FAST		38 M	Rubber solids and metal solids	●	

REFERRING TO N23



B23

TECHNICAL DATA

	B23	S23	N23	
	fractionated	pre and post vacuum	no vacuum	TYPE OF VACUUM
				INTEGRATED STEAM GENERATOR
				BUILT-IN PRINTER
				M.T.S MEMORY TEST SYSTEM
				WATER QUALITY SENSOR
				CONNECTION TO EXTERNAL DATA LOGGER
	optional			INTERNAL USB DATA LOGGER
	505Wx690Dx400H mm			OVERALL MEASURES
	ø236x530 mm			CHAMBER SIZE
	nr. 4 trays: 185Wx440Dx19H mm			TRAY SIZES
	230 V ± 10%			SUPPLY VOLTAGE
	50-60 Hz			MAINS FREQUENCY
	2400 W			RATED POWER