

MIDMARK 18 L

RECOMMENDED CYCLES

● OPEN ● WRAPPED

B-CLASS

| TEMPERATURE AND NAME OF CYCLE | TYPE | TOTAL TIME | WEIGHT | STERILIZABLE MATERIALS AND INSTRUMENTS | WRPD | |
|-------------------------------|------|------------|--------|--|-------------------------------------|---|
| HELIX TEST - B&D TEST | Test | 22 M | 0 | Steam penetration test | - | |
| VACUUM TEST | | 15 M | | Leak detection test | - | |
| 121° C HOLLOW WRAPPED | B | 50 M | 2,5 | Delicate hollow, stainless steel hollow and turbines | ● | |
| 134° C HOLLOW WRAPPED | | 39 M | | Stainless steel hollow and turbines | ● | |
| 134° C PRION | | 54 M | | Stainless steel hollow and metal instruments | ● | |
| 134° C POROUS | | 50 M | | 1,0 | Porous loads | ● |
| 134° C HOLLOW OPEN | | 36 M | | 4,0 | Stainless steel hollow and turbines | ● |

REFERRING TO B18

S-CLASS

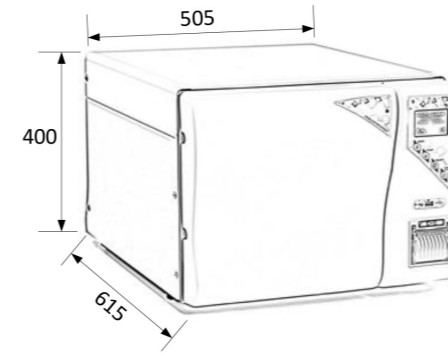
| TEMPERATURE AND NAME OF CYCLE | TYPE | TOTAL TIME | WEIGHT | STERILIZABLE MATERIALS AND INSTRUMENTS | WRPD | |
|-------------------------------|------|------------|--------|--|--------------------------------|---|
| BOWIE & DICK TEST | Test | 28 M | 0 | Steam penetration test | - | |
| VACUUM TEST | | 15 M | | Leak detection test | - | |
| 121° C HOLLOW WRAPPED | S | 56 M | 1,5 | Delicate hollow, stainless steel hollow | ● | |
| 134° C HOLLOW WRAPPED | | 45 M | | Stainless steel hollow | ● | |
| 134° C PRION | | 60 M | | Stainless steel hollow and metal instruments | ● | |
| 134° C POROUS | | 56 M | | 0,5 | Little porous loads | ● |
| 134° C FAST | | 36 M | | 2,5 | Rubber solids and metal solids | ● |

REFERRING TO S18

N-CLASS

| TEMPERATURE AND NAME OF CYCLE | TYPE | TOTAL TIME | WEIGHT | STERILIZABLE MATERIALS AND INSTRUMENTS | WRPD | |
|-------------------------------|------|------------|--------|--|-----------------------------------|---|
| 121° C SOLIDS OPEN | N | 48 M | 1,5 | Rubber solids and delicate solids | ● | |
| 134° C SOLIDS OPEN | | 36 M | | Rubber solids and metal solids | ● | |
| 134° C PRION | | 50 M | | Metal instruments | ● | |
| 121° C FAST | | 38 M | | 3,0 | Rubber solids and delicate solids | ● |
| 134° C FAST | | 28 M | | Rubber solids and metal solids | ● | |

REFERRING TO N18



18 L



B18

TECHNICAL DATA

| | B18 | S18 | N18 | |
|--|-------------------------------|---------------------|-----------------------|------------------------------------|
| | fractionated | pre and post vacuum | Thermo-dynamic vacuum | TYPE OF VACUUM |
| | | | | INTEGRATED STEAM GENERATOR |
| | | | | BUILT-IN PRINTER |
| | | | | M.T.S MEMORY TEST SYSTEM |
| | | | | WATER QUALITY SENSOR |
| | | | | CONNECTION TO EXTERNAL DATA LOGGER |
| | optional | | | INTERNAL USB DATA LOGGER |
| | 505Wx615Dx400H mm | | | OVERALL MEASURES |
| | ø236x381,5 mm | | | CHAMBER SIZE |
| | nr. 4 trays: 185Wx285Dx18H mm | | | TRAY SIZES |
| | 230 V ± 10% | | | SUPPLY VOLTAGE |
| | 50-60 Hz | | | MAINS FREQUENCY |
| | 2400 W | | | RATED POWER |